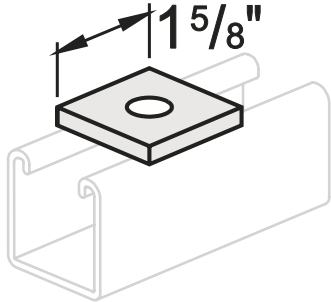


FLAT

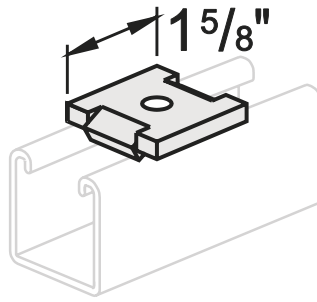
CHANNEL FITTINGS

SQUARE WASHERS

FLAT



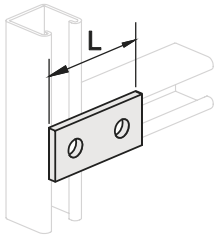
W/ GUIDES



100/CTN
16 LBS/100

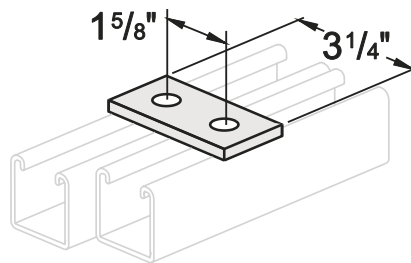
SIZE	FLAT P/N	W/ GUIDES P/N
1/4	4600	4606
3/8	4601	4607
1/2	4602	4608
5/8	4603	4609
3/4	4604	4610
7/8	4605	-

2 HOLE SPLICE



P/N	L	CTN. QTY.	LBS/100
4612	3-1/2"	50	33
4615	4-5/8"	50	50

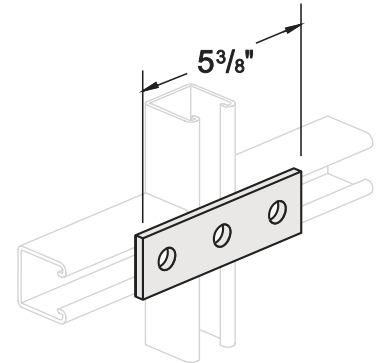
2 HOLE SPLICE



4614

50/CTN
31 LBS/100

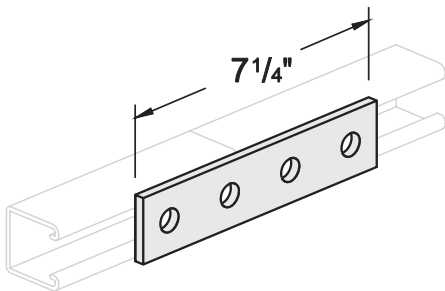
3 HOLE SPLICE



4616

50/CTN
58 LBS/100

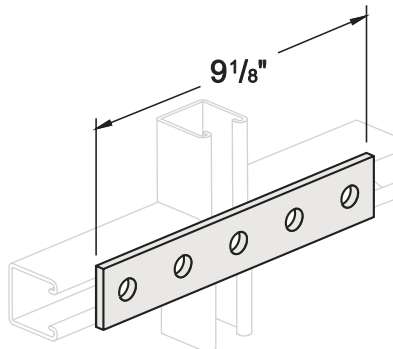
4 HOLE SPLICE



4617

25/CTN
69 LBS/100

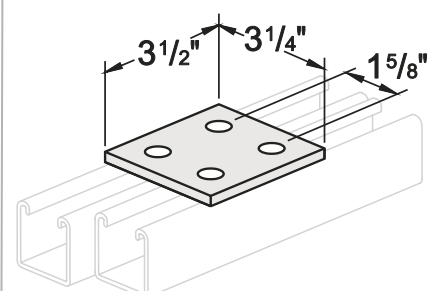
5 HOLE SPLICE



4618

25/CTN
95 LBS/100

4 HOLE SQUARE SPLICE



4624

25/CTN
74 LBS/100

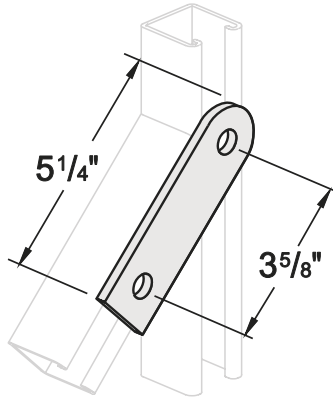
UNLESS SPECIFIED, MATERIAL IS 1-5/8" WIDE. HOLES ARE 9/16" DIAMETER, 13/16" CENTER TO EDGE, & SPACED 1-7/8" ON CENTER. STANDARD FINISH - EG ALSO AVAILABLE: STAINLESS STEEL & HOT DIPPED GALVANIZED

10.11

FLAT

CHANNEL FITTINGS

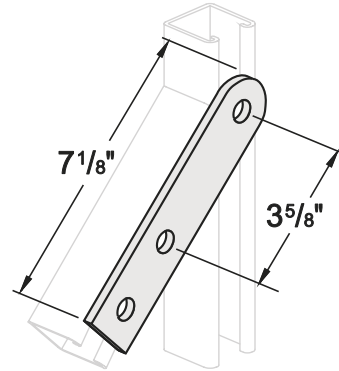
2 HOLE FLAT SWIVEL



4619

25/CTN
49 LBS/100

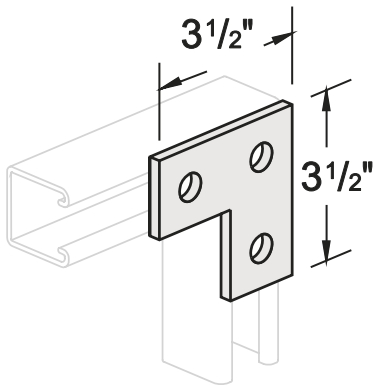
3 HOLE FLAT SWIVEL



4620

25/CTN
76 LBS/100

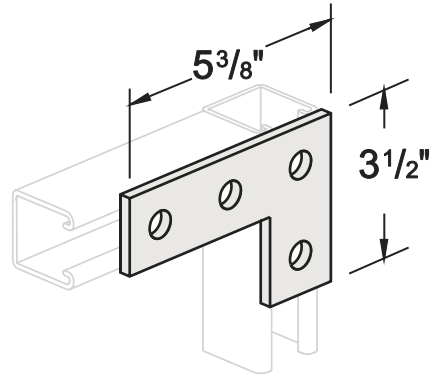
3 HOLE FLAT CORNER



4621

50/CTN
50 LBS/100

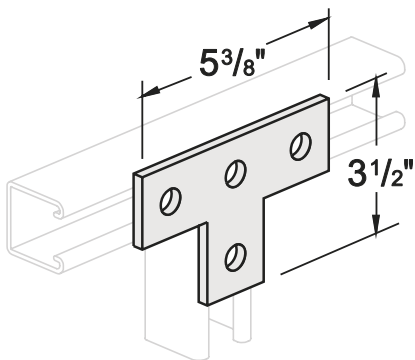
4 HOLE FLAT CORNER



4625

20/CTN
69 LBS/100

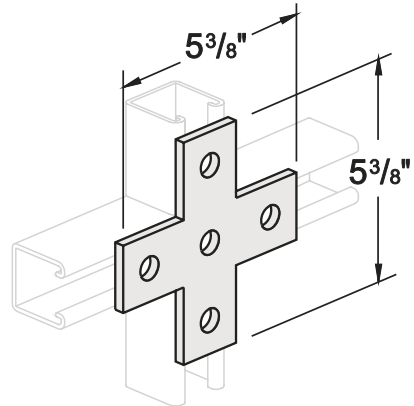
4 HOLE FLAT TEE



4627

25/CTN
66 LBS/100

5 HOLE FLAT CROSS



4628

25/CTN
90 LBS/100

UNLESS SPECIFIED, MATERIAL IS 1-5/8" WIDE. HOLES ARE 9/16" DIAMETER, 13/16" CENTER TO EDGE, & SPACED 1-7/8" ON CENTER.
STANDARD FINISH - EG ALSO AVAILABLE: STAINLESS STEEL & HOT DIPPED GALVANIZED

10.11

EUGENE FASTENER & SUPPLY CO.
595 WILSON STREET
EUGENE, OR 97402



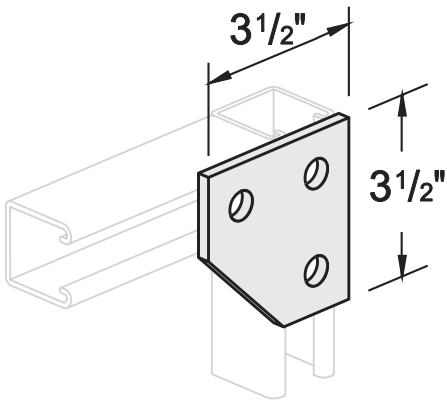
PHONE: 541-342-5978
TOLL FREE: 800-929-5978
FAX: 541-342-1385

13

FLAT

CHANNEL FITTINGS

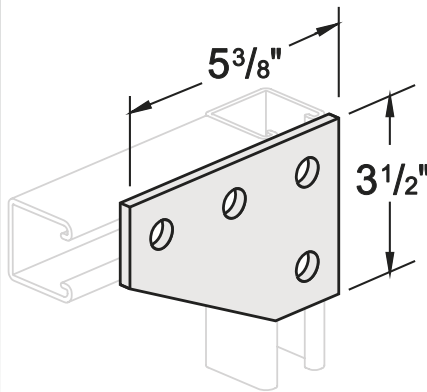
3 HOLE FLAT CORNER



4622

25/CTN
70 LBS/100

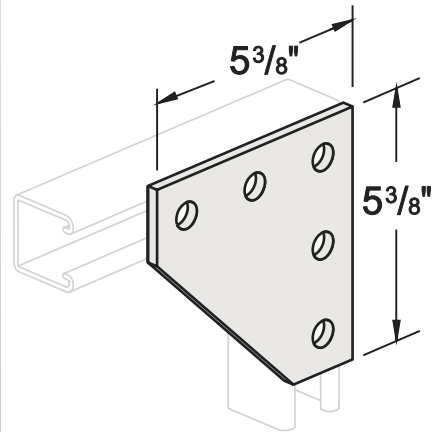
4 HOLE FLAT CORNER



4626

25/CTN
92 LBS/100

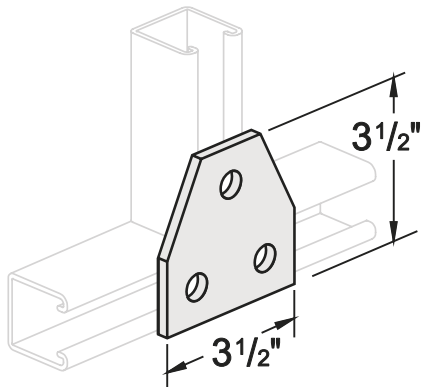
5 HOLE FLAT CORNER



4631

10/CTN
135 LBS/100

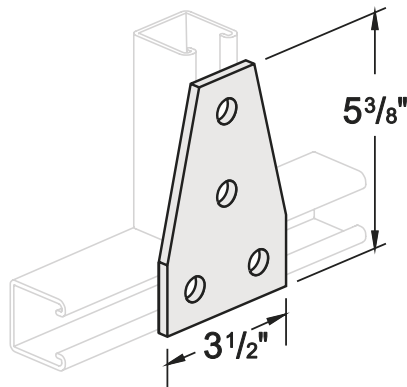
3 HOLE FLAT TEE



4623

50/CTN
70 LBS/100

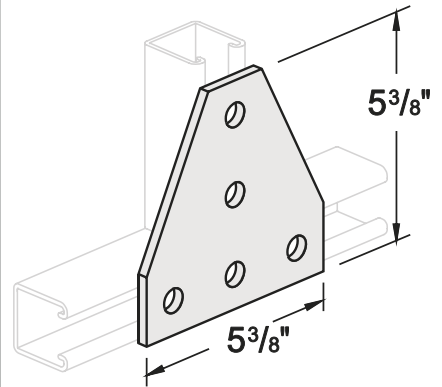
4 HOLE FLAT TEE



4629

25/CTN
93 LBS/100

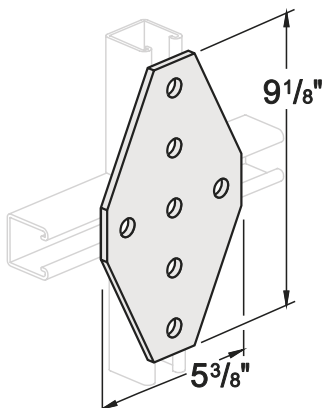
5 HOLE FLAT TEE



4630

25/CTN
143 LBS/100

7 HOLE FLAT CROSS



4633

10/CTN
240 LBS/100



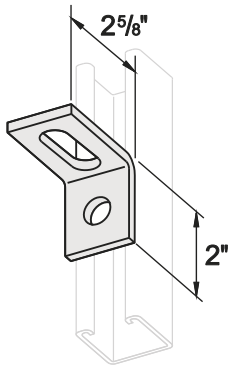
UNLESS SPECIFIED, MATERIAL IS 1-5/8" WIDE. HOLES ARE 9/16" DIAMETER, 13/16" CENTER TO EDGE, & SPACED 1-7/8" ON CENTER. STANDARD FINISH - EG ALSO AVAILABLE: STAINLESS STEEL & HOT DIPPED GALVANIZED

10.11

90 DEGREE

CHANNEL FITTINGS

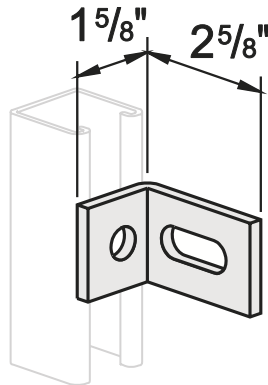
1 HOLE ADJUSTABLE CORNER ANGLE



4645

25/CTN
42 LBS/100

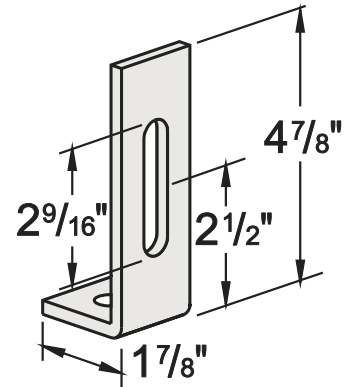
1 HOLE ADJUSTABLE CORNER ANGLE



4646

50/CTN
38 LBS/100

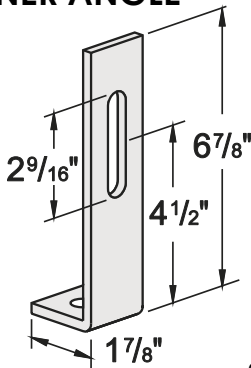
1 HOLE ADJUSTABLE CORNER ANGLE



4647

25/CTN
59 LBS/100

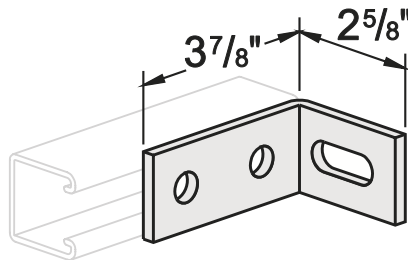
1 HOLE ADJUSTABLE CORNER ANGLE



4648

25/CTN
81 LBS/100

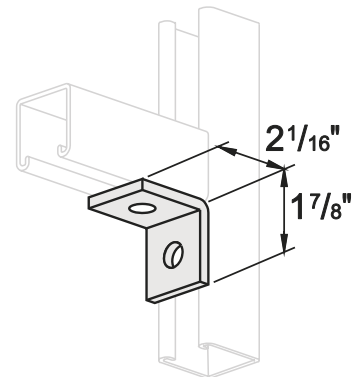
2 HOLE ADJUSTABLE CORNER ANGLE



4652

25/CTN
63 LBS/100

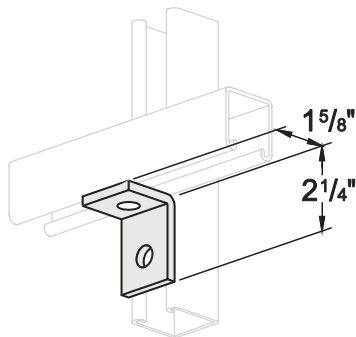
2 HOLE END ANGLE



4641

50/CTN
35 LBS/100

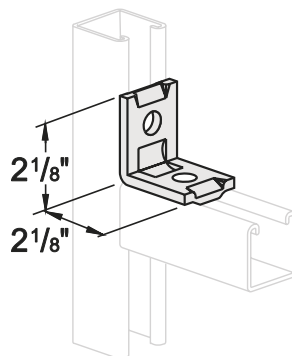
2 HOLE CORNER ANGLE



4642

25/CTN
33 LBS/100

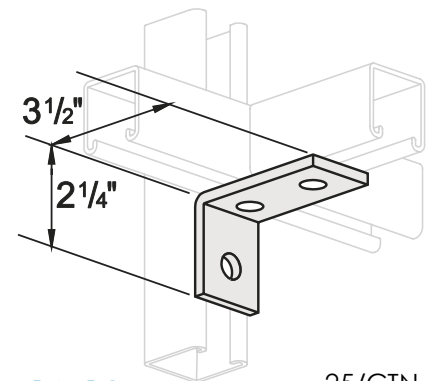
2 HOLE END ANGLE W/GUIDES



4643

50/CTN
37 LBS/100

3 HOLE CORNER ANGLE



4649

25/CTN
50 LBS/100

UNLESS SPECIFIED, MATERIAL IS 1-5/8" WIDE. HOLES ARE 9/16" DIAMETER, 13/16" CENTER TO EDGE, & SPACED 1-7/8" ON CENTER. STANDARD FINISH - EG ALSO AVAILABLE: STAINLESS STEEL & HOT DIPPED GALVANIZED

10.11

EUGENE FASTENER & SUPPLY CO.
595 WILSON STREET
EUGENE, OR 97402



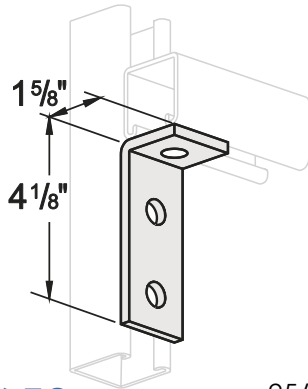
PHONE: 541-342-5978
TOLL FREE: 800-929-5978
FAX: 541-342-1385

15

90 DEGREE

CHANNEL FITTINGS

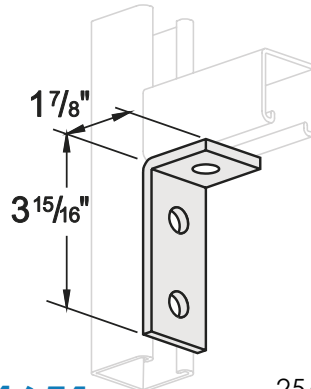
3 HOLE CORNER ANGLE



4650

25/CTN
50 LBS/100

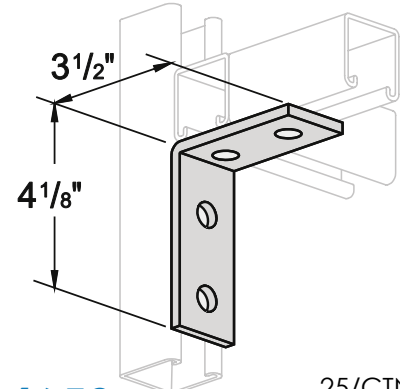
3 HOLE CORNER ANGLE



4651

25/CTN
51 LBS/100

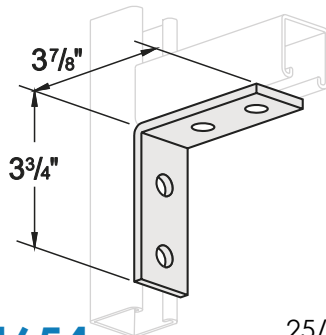
4 HOLE CORNER ANGLE



4653

25/CTN
69 LBS/100

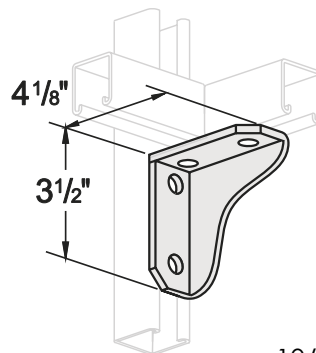
4 HOLE CORNER ANGLE



4654

25/CTN
68 LBS/100

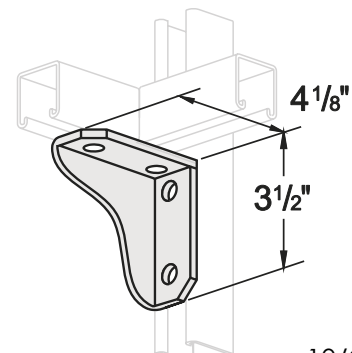
4 HOLE R. H. GUSSET



4655R

10/CTN
114 LBS/100

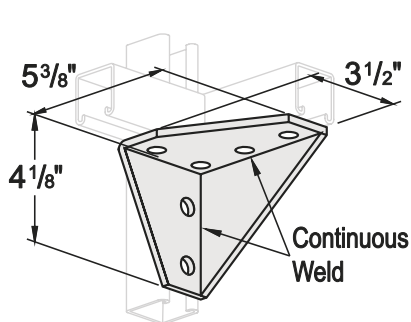
4 HOLE L. H. GUSSET



4655L

10/CTN
114 LBS/100

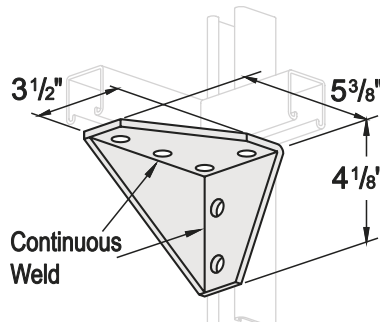
6 HOLE R. H. GUSSETED ANGLE CONNECTOR



4665R

10/CTN
236 LBS/100

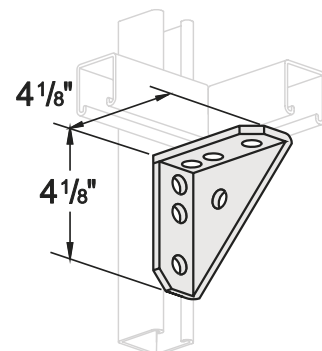
6 HOLE L. H. GUSSETED ANGLE CONNECTOR



4665L

10/CTN
236 LBS/100

7 HOLE UNIVERSAL CORNER ANGLE



4657

10/CTN
127 LBS/100

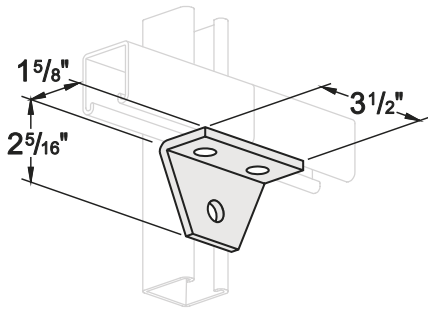
UNLESS SPECIFIED, MATERIAL IS 1-5/8" WIDE. HOLES ARE 9/16" DIAMETER, 13/16" CENTER TO EDGE, & SPACED 1-7/8" ON CENTER. STANDARD FINISH - EG ALSO AVAILABLE: STAINLESS STEEL & HOT DIPPED GALVANIZED

10.11

90 DEGREE

CHANNEL FITTINGS

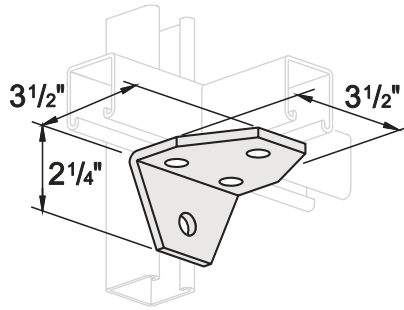
3 HOLE SHELF ANGLE



4658

25/CTN
70 LBS/100

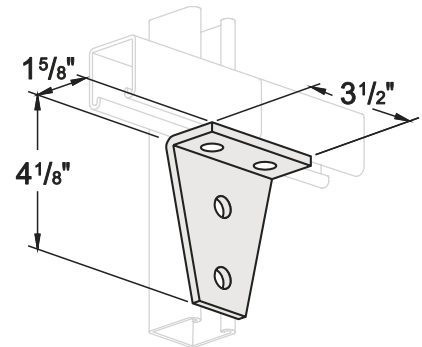
4 HOLE SHELF ANGLE



4659

25/CTN
100 LBS/100

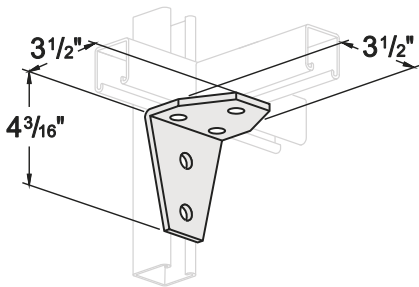
4 HOLE SHELF ANGLE



4660

25/CTN
105 LBS/100

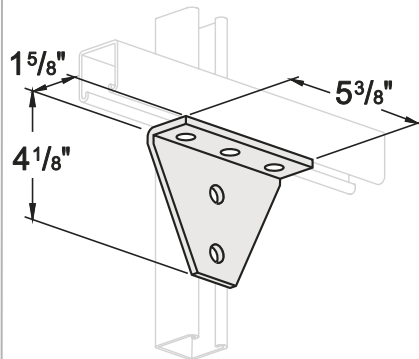
5 HOLE SHELF ANGLE



4661

10/CTN
135 LBS/100

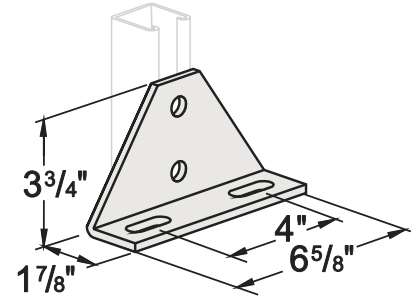
5 HOLE SHELF ANGLE



4662

10/CTN
155 LBS/100

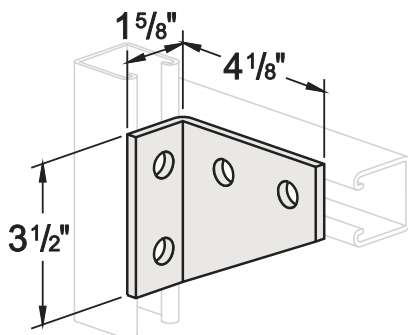
2 HOLE 2 SLOT ADJ. SUPPORT ANGLE



4663

10/CTN
171 LBS/100

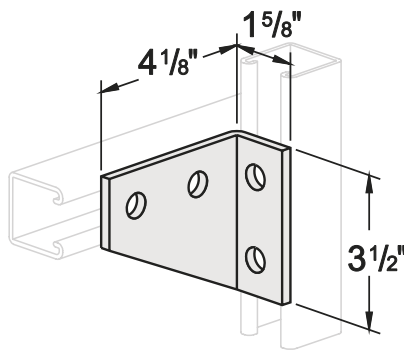
4 HOLE L. H. ANGLE



4666L

10/CTN
105 LBS/100

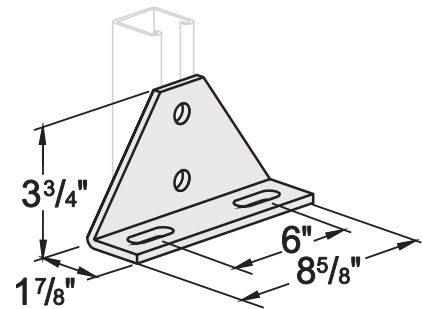
4 HOLE R. H. ANGLE



4666R

10/CTN
105 LBS/100

2 HOLE 2 SLOT ADJ. SUPPORT ANGLE



4664

10/CTN
200 LBS/100

UNLESS SPECIFIED, MATERIAL IS 1-5/8" WIDE. HOLES ARE 9/16" DIAMETER, 13/16" CENTER TO EDGE, & SPACED 1-7/8" ON CENTER. STANDARD FINISH - EG ALSO AVAILABLE: STAINLESS STEEL & HOT DIPPED GALVANIZED

10.11

EUGENE FASTENER & SUPPLY CO.
595 WILSON STREET
EUGENE, OR 97402

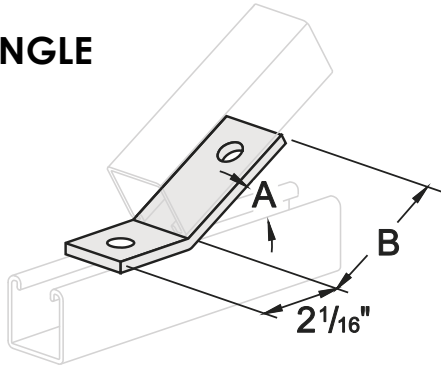


PHONE: 541-342-5978
TOLL FREE: 800-929-5978
FAX: 541-342-1385

ANGLE

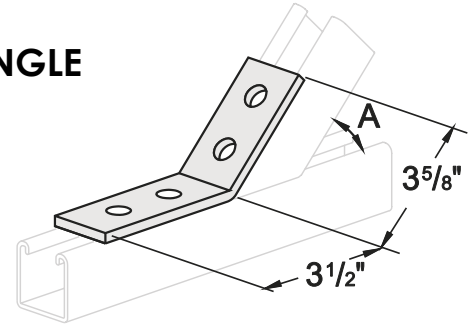
CHANNEL FITTINGS

2 HOLE OPEN ANGLE



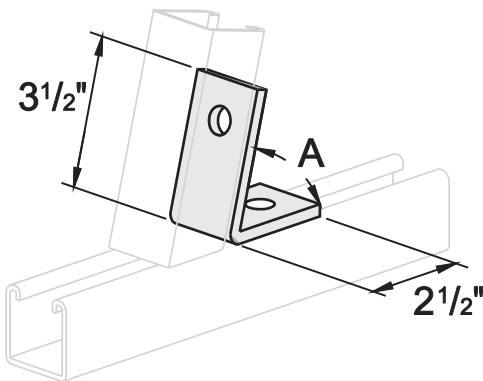
P/N	A	B	CTN. QTY.	LBS/100
467615	15°	3-5/16"	25	54
467630	30°	3-5/16"		
467645	45°	3-1/4"		
467660	60°	3-1/4"		

4 HOLE OPEN ANGLE



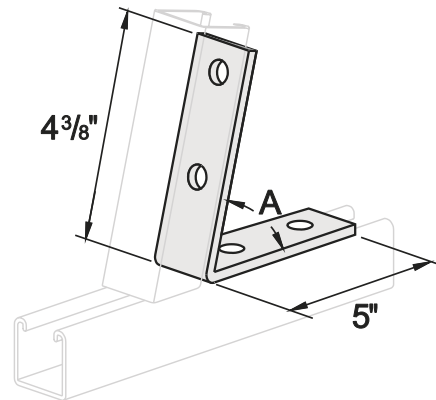
P/N	A	CTN. QTY.	LBS/100
467915	15°	25	70
467930	30°		
467945	45°		
467960	60°		
467967	67°		
467975	75°		

2 HOLE CLOSED ANGLE



P/N	A	CTN. QTY.	LBS/100
467745	45°	25	53
467760	60°		

4 HOLE CLOSED ANGLE



P/N	A	CTN. QTY.	LBS/100
467845	45°	20	88
467860	60°		

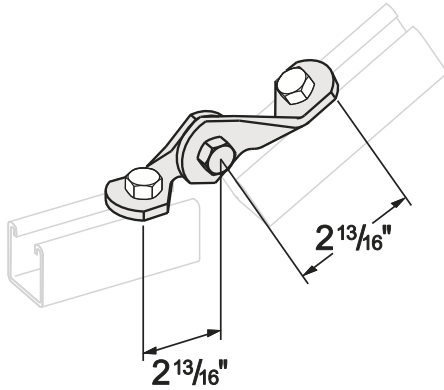
UNLESS SPECIFIED, MATERIAL IS 1-5/8" WIDE. HOLES ARE 9/16" DIAMETER, 13/16" CENTER TO EDGE, & SPACED 1-7/8" ON CENTER. STANDARD FINISH - EG ALSO AVAILABLE: STAINLESS STEEL & HOT DIPPED GALVANIZED

10.11

ANGLE

CHANNEL FITTINGS

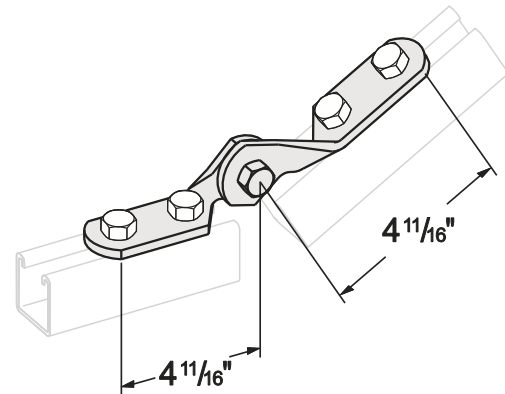
2 HOLE ADJUSTABLE HINGE



4681

10/CTN
89 LBS/100

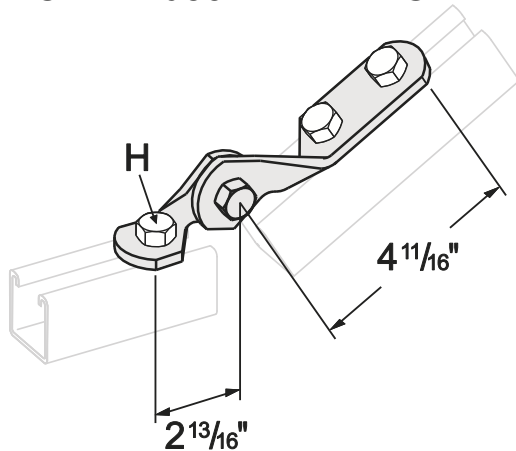
4 HOLE ADJUSTABLE HINGE



4683

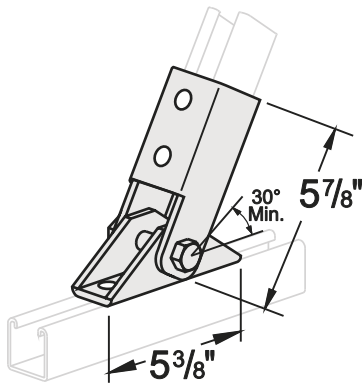
10/CTN
120 LBS/100

3 HOLE ADJUSTABLE HINGE



P/N	H	CTN. QTY.	LBS/100
46823	3/8"	10	106
46824	1/2"		104
46825	5/8"		102
46826	3/4"		100

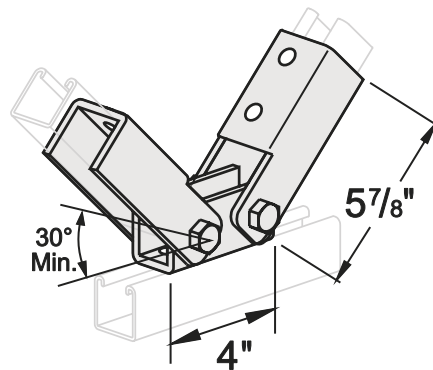
ADJ. SINGLE CHANNEL BRACE



4684

5/CTN
250 LBS/100

ADJ. DOUBLE CHANNEL BRACE



4685

5/CTN
500 LBS/100

UNLESS SPECIFIED, MATERIAL IS 1-5/8" WIDE. HOLES ARE 9/16" DIAMETER, 13/16" CENTER TO EDGE, & SPACED 1-7/8" ON CENTER. STANDARD FINISH - EG ALSO AVAILABLE: STAINLESS STEEL & HOT DIPPED GALVANIZED

10.11

EUGENE FASTENER & SUPPLY CO.
595 WILSON STREET
EUGENE, OR 97402



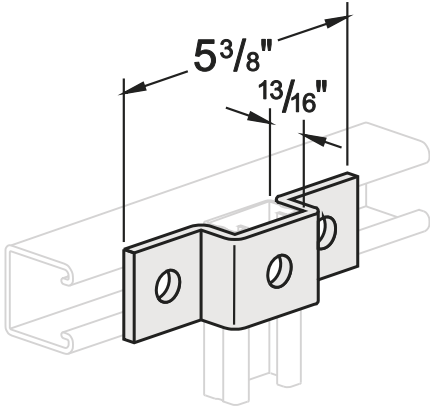
PHONE: 541-342-5978
TOLL FREE: 800-929-5978
FAX: 541-342-1385

19

U SH A P E

CHANNEL FITTINGS

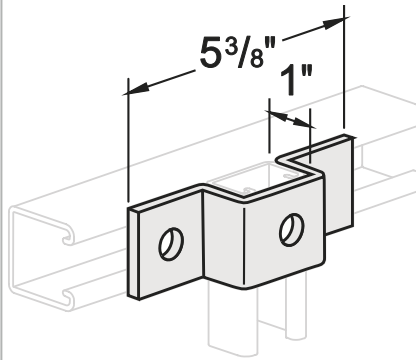
3 HOLE U SUPPORT



4696

25/CTN
62.0 LBS/100

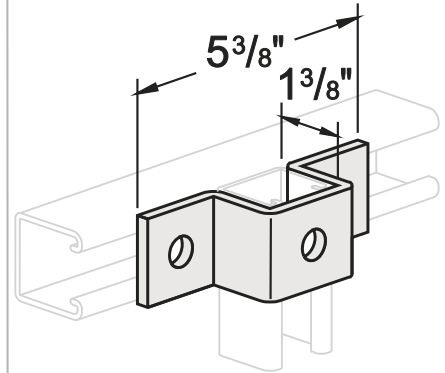
3 HOLE U SUPPORT



4697

25/CTN
66.0 LBS/100

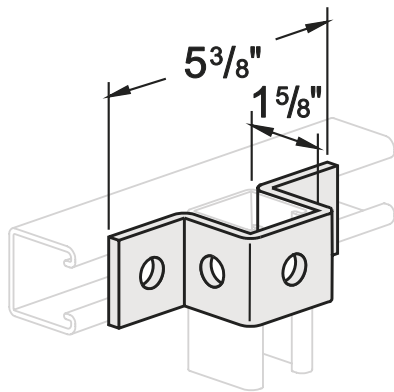
3 HOLE U SUPPORT



4698

25/CTN
70.0 LBS/100

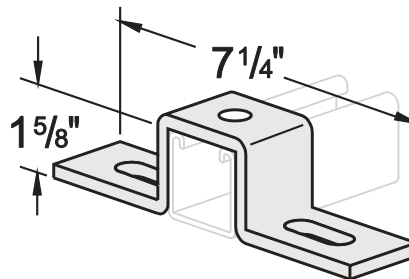
5 HOLE U SUPPORT



4699

15/CTN
72.0 LBS/100

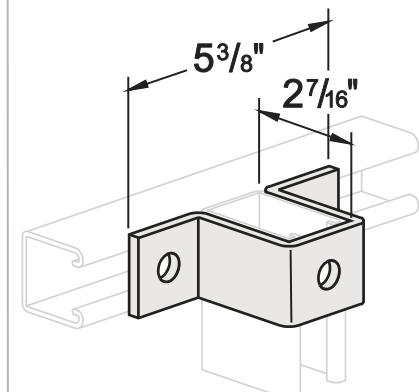
1 HOLE ADJ. U SUPPORT W/ SLOTS



4700

10/CTN
96.0 LBS/100

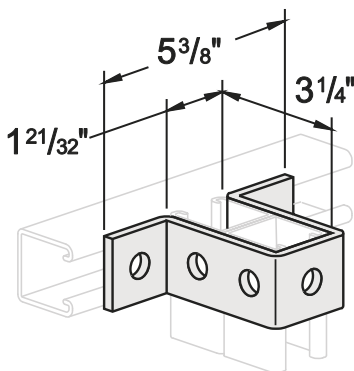
3 HOLE U SUPPORT



4702

15/CTN
108.0 LBS/100

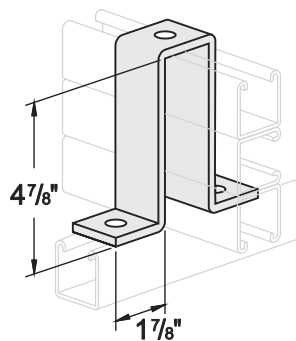
7 HOLE U SUPPORT



4703

25/CTN
121.0 LBS/100

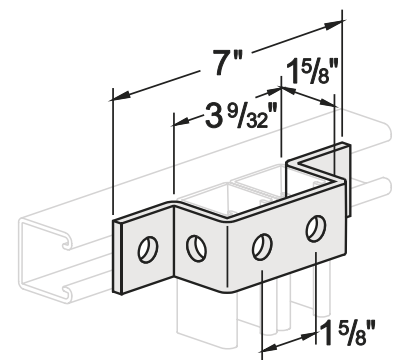
3 HOLE U SUPPORT



4704

10/CTN
197.0 LBS/100

6 HOLE U SUPPORT



4701

10/CTN
103.0 LBS/100

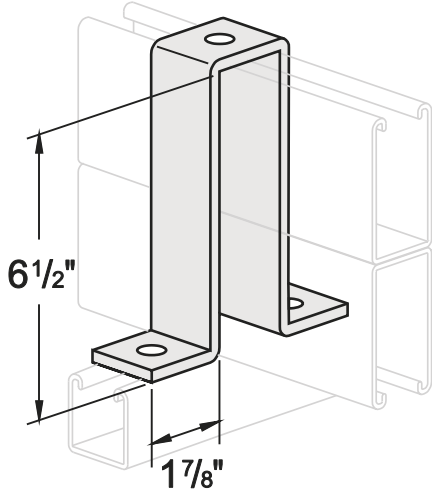
UNLESS SPECIFIED, MATERIAL IS 1-5/8" WIDE. HOLES ARE 9/16" DIAMETER, 13/16" CENTER TO EDGE, & SPACED 1-7/8" ON CENTER. STANDARD FINISH - EG ALSO AVAILABLE: STAINLESS STEEL & HOT DIPPED GALVANIZED

10.11

U SH A P E

CHANNEL FITTINGS

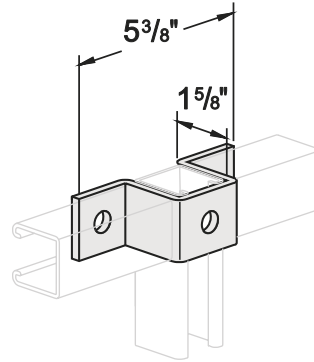
3 HOLE U SUPPORT



47046

10/CTN
200 LBS/100

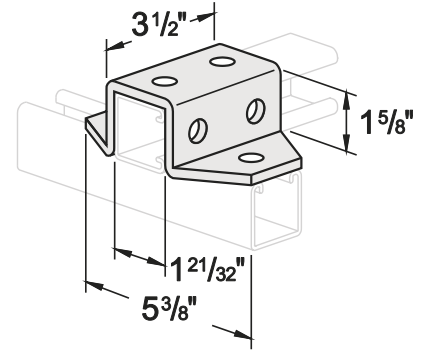
3 HOLE OFFSET U SUPPORT



4705

25/CTN
95 LBS/100

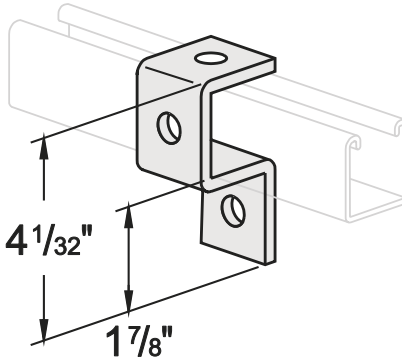
8 HOLE U SUPPORT



4706

10/CTN
171 LBS/100

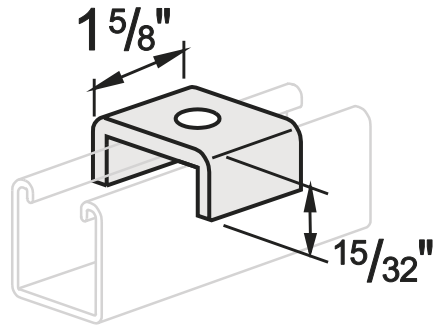
4 HOLE U CUP SUPPORT



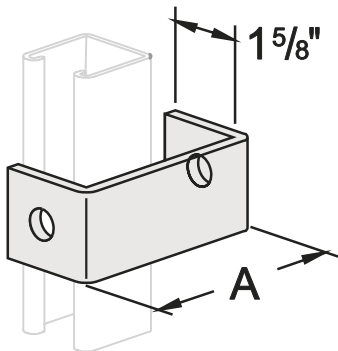
4707

25/CTN
76 LBS/100

U SADDLE WASHER



2 HOLE COLUMN OR STRINGER INSIDE CLEVIS HANGER



P/N	A	CTN. QTY.	LBS/100
47084	4"	25	78
47085	5"	25	89

P/N	SIZE	CTN. QTY.	LBS/100
47092	1/4"	50	18
47093	3/8"		
47095	1/2"		
47096	5/8"	17	
47097	3/4"		

UNLESS SPECIFIED, MATERIAL IS 1-5/8" WIDE. HOLES ARE 9/16" DIAMETER, 13/16" CENTER TO EDGE, & SPACED 1-7/8" ON CENTER. STANDARD FINISH - EG ALSO AVAILABLE: STAINLESS STEEL & HOT DIPPED GALVANIZED

10.11

EUGENE FASTENER & SUPPLY CO.
595 WILSON STREET
EUGENE, OR 97402



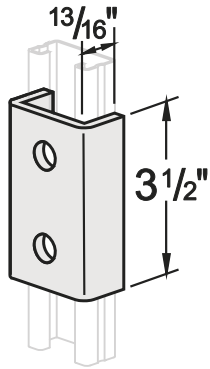
PHONE: 541-342-5978
TOLL FREE: 800-929-5978
FAX: 541-342-1385

21

U S H A P E

CHANNEL FITTINGS

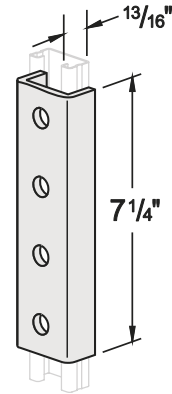
2 HOLE SPLICE CLEVIS



4713

20/CTN
85 LBS/100

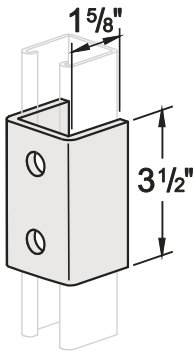
4 HOLE SPLICE CLEVIS



4716

10/CTN
158 LBS/100

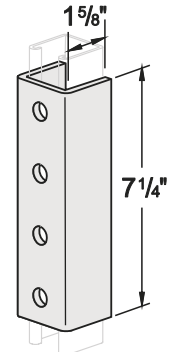
2 HOLE SPLICE CLEVIS



4714

25/CTN
128 LBS/100

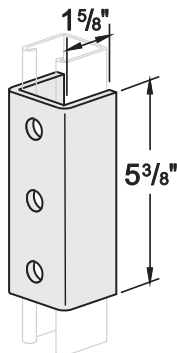
4 HOLE SPLICE CLEVIS



4717

10/CTN
230 LBS/100

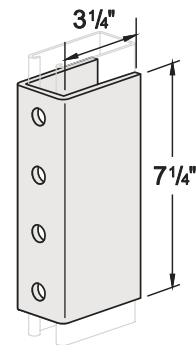
3 HOLE SPLICE CLEVIS



4715

20/CTN
197 LBS/100

4 HOLE SPLICE CLEVIS



4718

5/CTN
410 LBS/100

UNLESS SPECIFIED, MATERIAL IS 1-5/8" WIDE. HOLES ARE 9/16" DIAMETER, 13/16" CENTER TO EDGE, & SPACED 1-7/8" ON CENTER.
STANDARD FINISH - EG ALSO AVAILABLE: STAINLESS STEEL & HOT DIPPED GALVANIZED

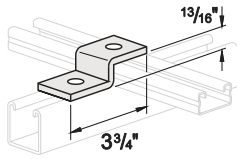
10.11

Z SHAPE

CHANNEL FITTINGS

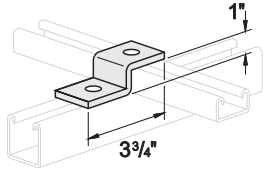
2 HOLE Z SUPPORTS

4722



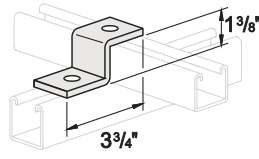
50/CTN
47 LBS/100

4723



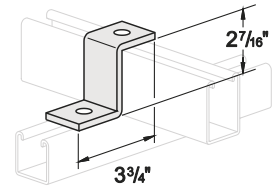
25/CTN
47 LBS/100

4724



25/CTN
53 LBS/100

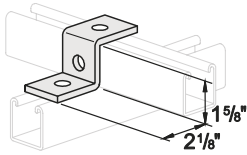
4726



25/CTN
67 LBS/100

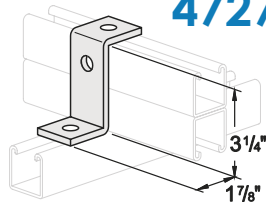
3 HOLE Z SUPPORTS

4725



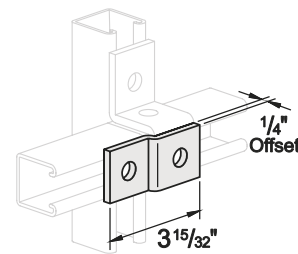
25/CTN
53 LBS/100

4727



25/CTN
70 LBS/100

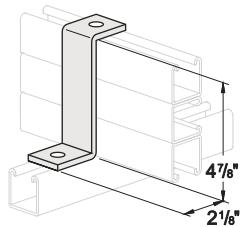
2 HOLE 1/4" OFFSET SUPPORT



4721

25/CTN
38 LBS/100

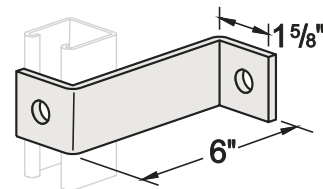
2 HOLE SUPPORT FOR 4-7/8" CHANNEL COMBINATION



4728

25/CTN
90 LBS/100

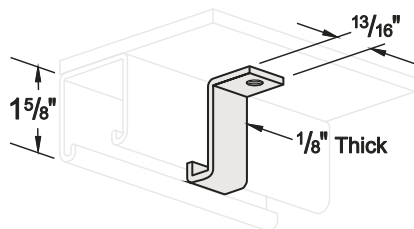
2 HOLE 6" OFFSET SUPPORT



47296

25/CTN
95 LBS/100

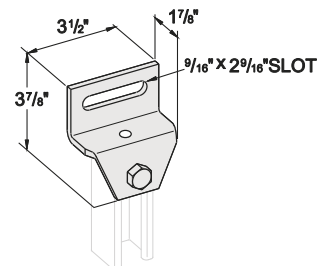
SHELF ATTACHMENT Z



47102

100/CTN
9 LBS/100

2 HOLE 1-5/8" SLOTTED OFFSET SUPPORT



4730

20/CTN
93 LBS/100

UNLESS SPECIFIED, MATERIAL IS 1-5/8" WIDE. HOLES ARE 9/16" DIAMETER, 13/16" CENTER TO EDGE, & SPACED 1-7/8" ON CENTER. STANDARD FINISH - EG ALSO AVAILABLE: STAINLESS STEEL & HOT DIPPED GALVANIZED

10.11

EUGENE FASTENER & SUPPLY CO.
595 WILSON STREET
EUGENE, OR 97402



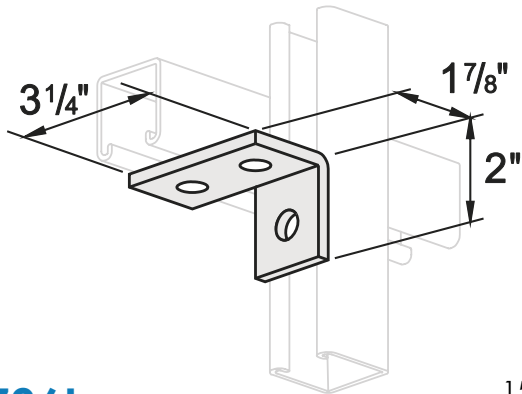
PHONE: 541-342-5978
TOLL FREE: 800-929-5978
FAX: 541-342-1385

23

W I N G

CHANNEL FITTINGS

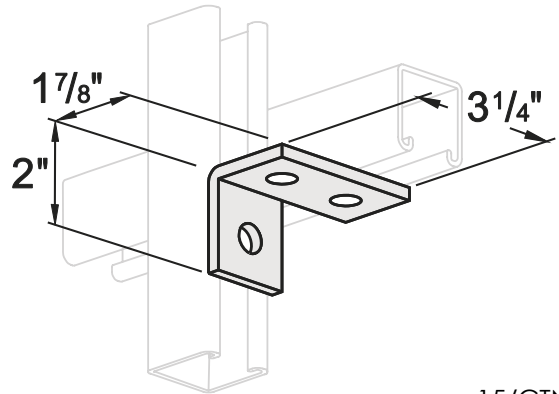
3 HOLE L. H. OFFSET ANGLE



4736L

15/CTN
93 LBS/100

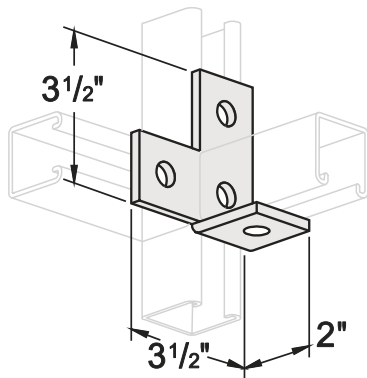
3 HOLE R. H. OFFSET ANGLE



4736R

15/CTN
93 LBS/100

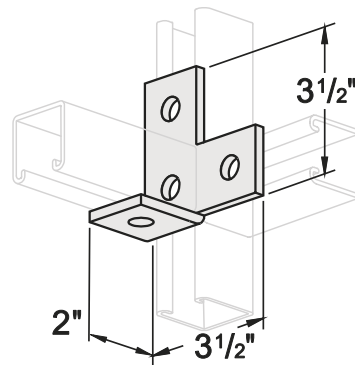
4 HOLE L. H. OFFSET BENT TEE



4755L

10/CTN
72 LBS/100

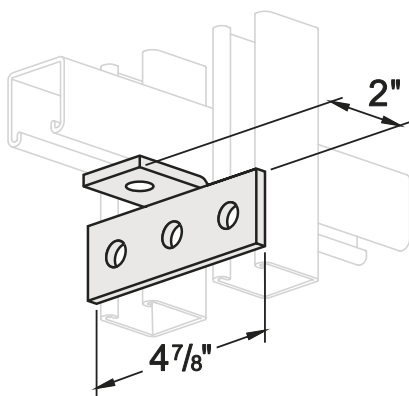
4 HOLE R. H. OFFSET BENT TEE



4755R

10/CTN
72 LBS/100

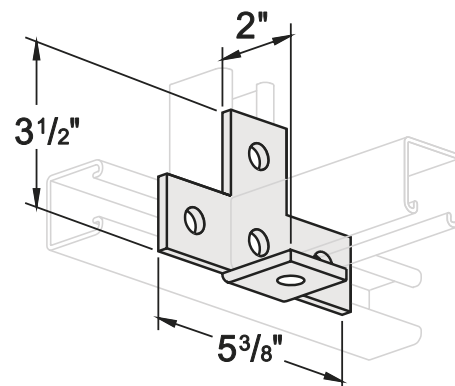
4 HOLE BENT TEE ANGLE



4740

10/CTN
72 LBS/100

5 HOLE BENT CROSS



4757

10/CTN
90 LBS/100

UNLESS SPECIFIED, MATERIAL IS 1-5/8" WIDE. HOLES ARE 9/16" DIAMETER, 13/16" CENTER TO EDGE, & SPACED 1-7/8" ON CENTER. STANDARD FINISH - EG ALSO AVAILABLE: STAINLESS STEEL & HOT DIPPED GALVANIZED

10.11

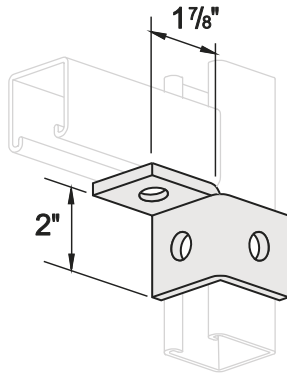
W I N G

CHANNEL FITTINGS

3 HOLE L. H. SINGLE CORNER

15/CTN
60 LBS/100

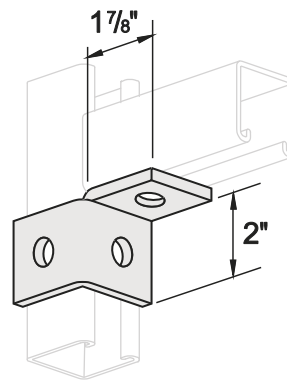
4737L



3 HOLE R. H. SINGLE CORNER

15/CTN
60 LBS/100

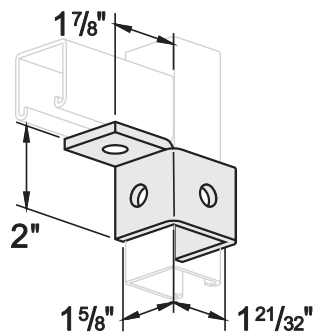
4737R



4 HOLE L. H. WRAP AROUND SINGLE CONNECTOR

15/CTN
70 LBS/100

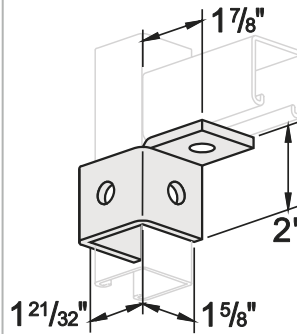
4756L



4 HOLE R. H. WRAP AROUND SINGLE CONNECTOR

15/CTN
70 LBS/100

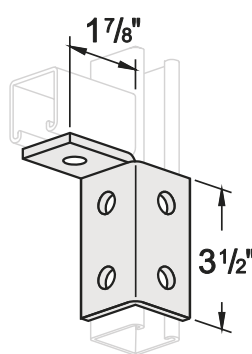
4756R



5 HOLE L. H. SINGLE CORNER

15/CTN
100 LBS/100

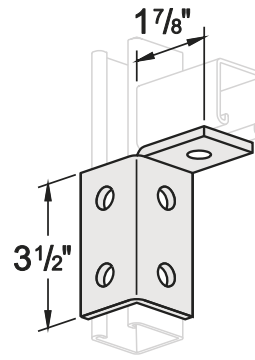
4741L



5 HOLE R. H. SINGLE CORNER

15/CTN
100 LBS/100

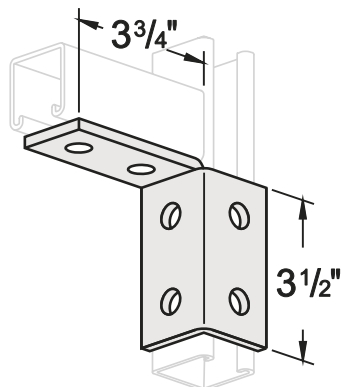
4741R



6 HOLE L. H. SINGLE CORNER

15/CTN
119 LBS/100

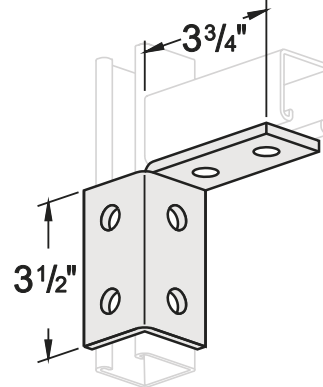
4742L



6 HOLE R. H. SINGLE CORNER

15/CTN
119 LBS/100

4742R



UNLESS SPECIFIED, MATERIAL IS 1-5/8" WIDE. HOLES ARE 9/16" DIAMETER, 13/16" CENTER TO EDGE, & SPACED 1-7/8" ON CENTER. STANDARD FINISH - EG ALSO AVAILABLE: STAINLESS STEEL & HOT DIPPED GALVANIZED

10.11

EUGENE FASTENER & SUPPLY CO.
595 WILSON STREET
EUGENE, OR 97402



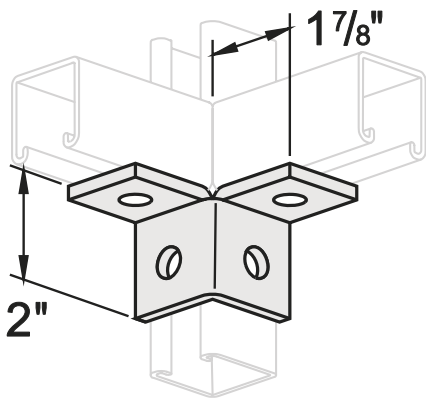
PHONE: 541-342-5978
TOLL FREE: 800-929-5978
FAX: 541-342-1385

25

W I N G

CHANNEL FITTINGS

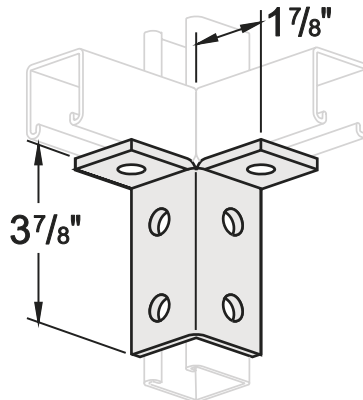
4 HOLE 2 CORNER



4738

25/CTN
76 LBS/100

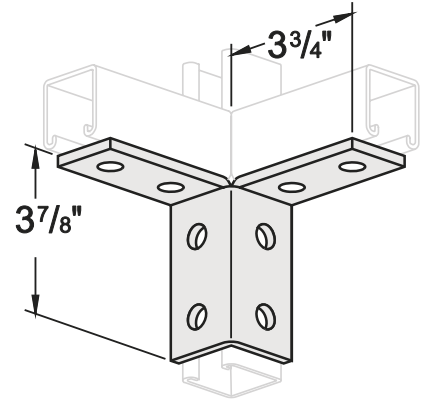
6 HOLE 2 CORNER



4739

25/CTN
115 LBS/100

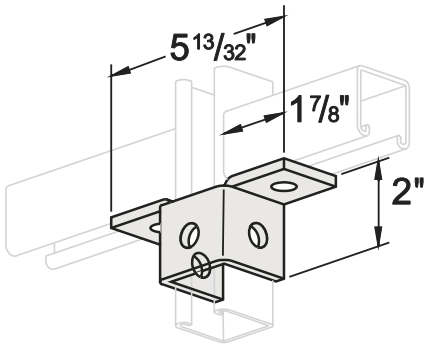
8 HOLE 2 CORNER



4743

10/CTN
156 LBS/100

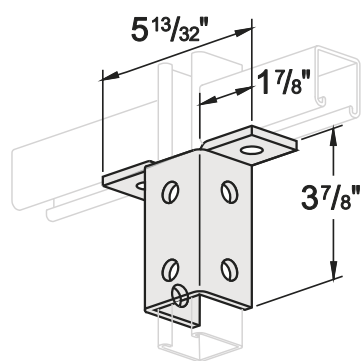
5 HOLE 2 CORNER



4744

15/CTN
93 LBS/100

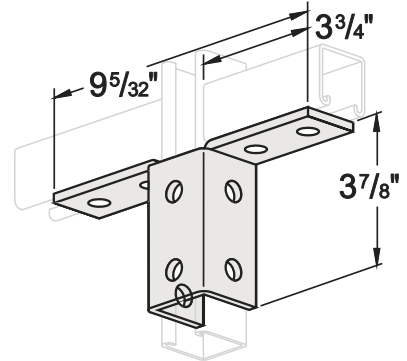
8 HOLE 2 CORNER



4749

10/CTN
177 LBS/100

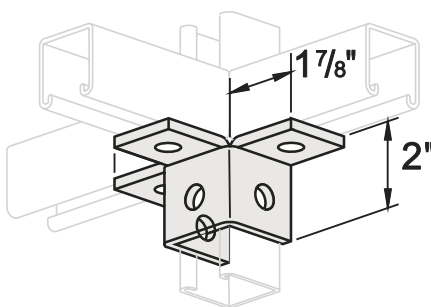
10 HOLE 2 CORNER



4745

10/CTN
202 LBS/100

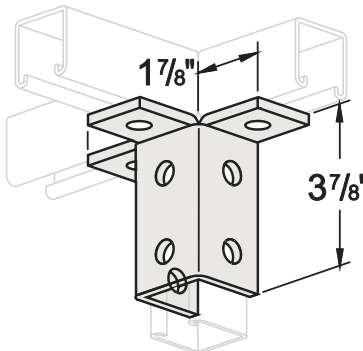
6 HOLE 3 CORNER



4746

10/CTN
105 LBS/100

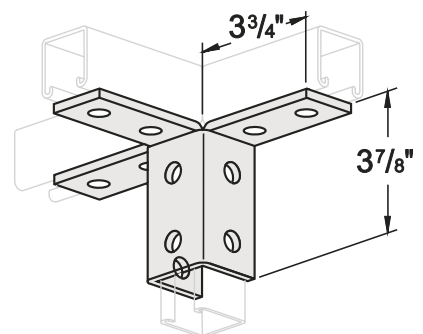
9 HOLE 3 CORNER



4748

10/CTN
193 LBS/100

12 HOLE 3 CORNER



4747

10/CTN
239 LBS/100

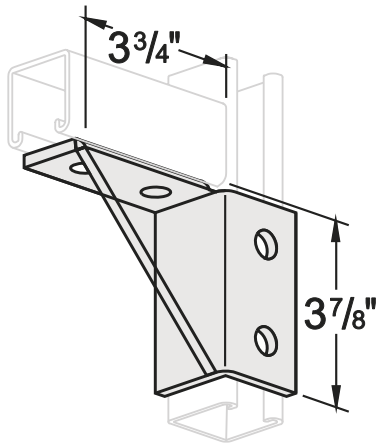
UNLESS SPECIFIED, MATERIAL IS 1-5/8" WIDE. HOLES ARE 9/16" DIAMETER, 13/16" CENTER TO EDGE, & SPACED 1-7/8" ON CENTER.
STANDARD FINISH - EG ALSO AVAILABLE: STAINLESS STEEL & HOT DIPPED GALVANIZED

10.11

W I N G

CHANNEL FITTINGS

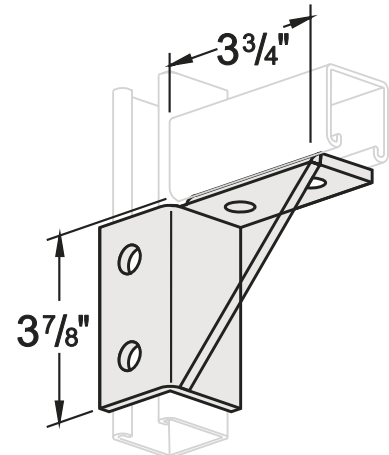
**4 HOLE
L. H.
GUSSETED
SINGLE
CORNER**



4750L

10/CTN
176 LBS/100

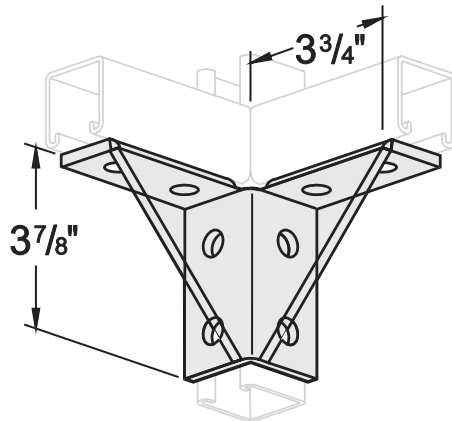
**4 HOLE
R. H.
GUSSETED
SINGLE
CORNER**



4750R

10/CTN
176 LBS/100

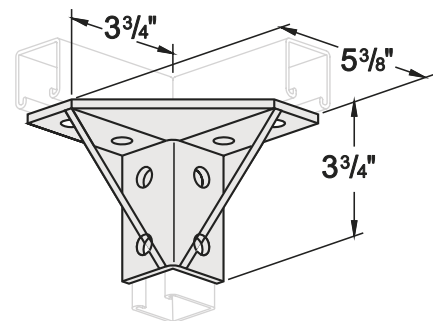
**8 HOLE
GUSSETED
DOUBLE
CORNER**



4751

10/CTN
217 LBS/100

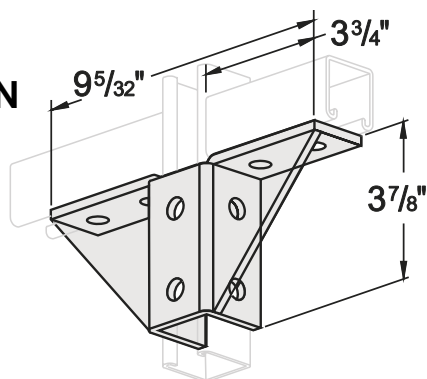
**8 HOLE
GUSSETED
DOUBLE
CORNER**



4752

5/CTN
315 LBS/100

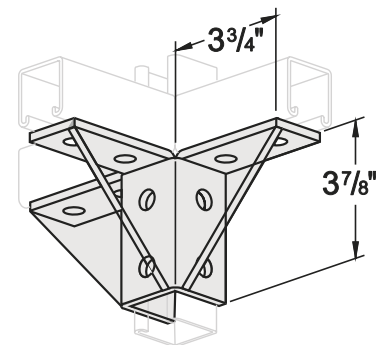
**10 HOLE
GUSSETED
DOUBLE
CONNECTION**



4753

5/CTN
285 LBS/100

**12 HOLE
GUSSETED
TRIPLE
CONNECTION**



4754

5/CTN
330 LBS/100

UNLESS SPECIFIED, MATERIAL IS 1-5/8" WIDE. HOLES ARE 9/16" DIAMETER, 13/16" CENTER TO EDGE, & SPACED 1-7/8" ON CENTER.
STANDARD FINISH - EG ALSO AVAILABLE: STAINLESS STEEL & HOT DIPPED GALVANIZED

10.11

EUGENE FASTENER & SUPPLY CO.
595 WILSON STREET
EUGENE, OR 97402



PHONE: 541-342-5978
TOLL FREE: 800-929-5978
FAX: 541-342-1385

27